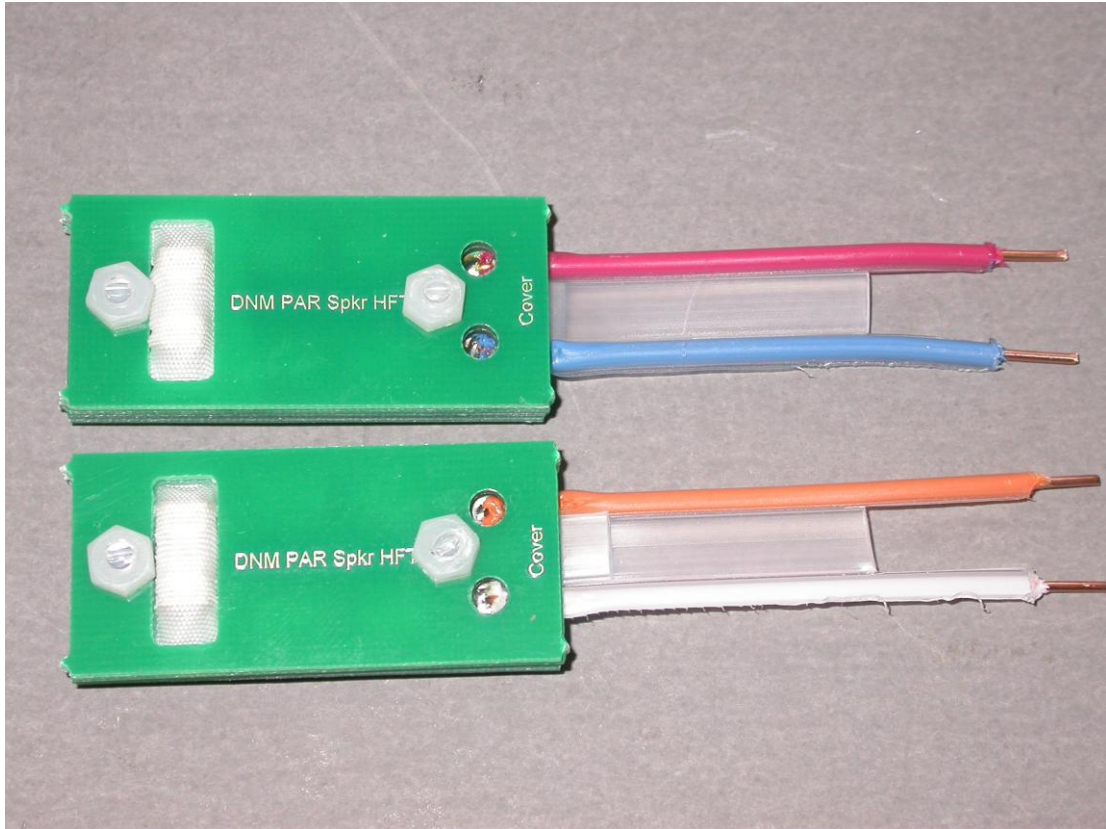


## NEW PRODUCT ANNOUNCEMENT

**DNM SPEAKER CABLE HIGH FREQUENCY TERMINATION NETWORK  
A new Parallel HFTN for use with speaker cables, now available from DNM**



The DNM RF termination system, named “**H**igh **F**requency **T**ermination **N**etwork” (**HFTN**), is a precision circuit that controls the radio frequency (RF) load presented by the cable to the amplifier. The HFTN terminates the cable at the radio frequencies that are generated by the amplifier's feedback system.

Audio frequency signals are not directly modified by the HFTN but the amplifier/cable RF interface is so greatly improved that the amplifier's feedback accuracy is enhanced. This gives a substantial increase in audio clarity.

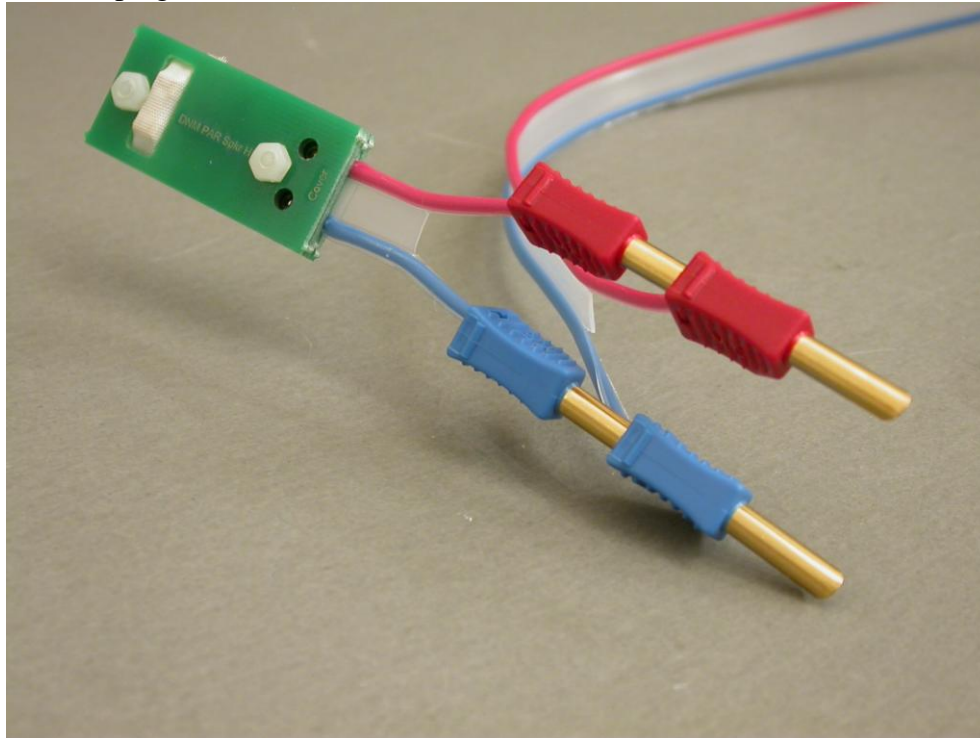
The DNM speaker cable HFTN is a parallel design for use with DNM Stereo Solid Core Speaker cable and DNM Stereo Solid Core Precision speaker cable. However in most circumstances, the DNM HFTN will also improve the performance of other brands of speaker cable.

The photograph at the top of this document shows how the speaker cable HFTN is supplied by DNM Design. It is fitted with a short length of cable (as part of its assembly) with pre-stripped conductors which can optionally be terminated with the speaker plugs (from the DNM online shop) as required for the application.

The speaker cable HFTN is very easy to install.

The photograph below shows how the 4mm leaf type plug (available in the DNM online shop) can be piggy-backed to add the HFTN onto existing connections. Connection can be done in this way at the amplifier and at the speaker end of the cable.

If the speaker cable is already fitted with normal 4mm plugs, the HFTN's plugs can be plugged in first and then the normal 4mm plugs can be plugged into the back of the HFTN's plugs.



The illustration below shows where the HFTN is connected to the speaker cables.

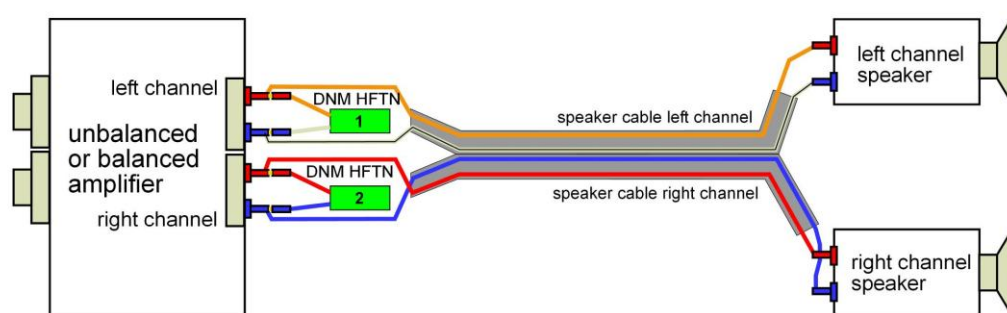
## Application of DNM speaker cable termination networks

### Upgrade to a DNM speaker cable High Frequency Termination Network (HFTN)

Connecting the parallel DNM HFTN to a DNM cable system.

NB. parallel HFTN's can be applied to unbalanced or balanced amplifiers.

Fit two DNM speaker cable HFTN's (labelled 1 and 2) to the left and right channel terminals at the amplifier end of the speaker cables-as shown.



Produced by DNM Design 17th September 2014

In a stereo system two HFTN's are used to terminate the amplifier end of the speaker cables, see HFTN's 1 and 2. If the hi-fi system is bi-wired only one termination per

channel (two for stereo) will be needed at the amplifier end of the cables, as in the case of a single wired system.

If plugs are required for the HFTN's they can be ordered on the DNM online shop. Normally 4mm plugs would be ordered, or 2mm plugs can be ordered for use with DNM amplifiers. In the DNM amplifier case the HFTN can be plugged into the spare amplifier outputs instead of piggy-backing as in the case of 4mm connectors. For example if the speaker cables are plugged into the DNM outputs marked "B" for bass, the HFTN can be plugged into either of the other outputs marked "M" for mid-range or "T" for tweeter. Only one output per channel needs to be terminated.

The speaker cable HFTN can also be used as supplied with bare wire, or with spade connectors to be attached directly to screw-in speaker terminals.

**Please note that a plug fitting charge is not required for this product, it is only necessary to order the HFTN and then order the plugs.**

**Now available in the DNM online shop:-**

Speaker cable HFTNs are available to work with both types of DNM speaker cable and they will also work reasonably well with other makes of cable that have a similar spaced-pair construction that have a similar spaced-pair construction .